

# CENTRO™ 6401 DESK

bdiusa.com  
customerservice@bdiusa.com



## Product Registration

Registering your new BDI product allows us to send you important product updates, service information and helpful hints related to your BDI products. Register today and you will be entered to win free a BINK table from BDI. [www.bdiusa.com/product-registration/](http://www.bdiusa.com/product-registration/)

## Placement and Maintenance

Centro™ Office furniture is designed for indoor use on level floors. Clean glass with glass cleaner, and steel parts and wood veneer with a moist cloth.

Your Centro™ Office furniture is engineered for easy assembly. Carefully follow this procedure to prevent any damage.

Do not use power tools for assembly of this product.

## Step 1

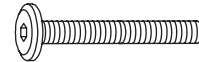
Unpack and identify the parts listed below. The assembly workspace should be a non-marring surface such as carpet. For missing hardware pieces, please contact BDI Customer Service at [customerservice@bdiusa.com](mailto:customerservice@bdiusa.com). For all other concerns, please contact your BDI retailer.



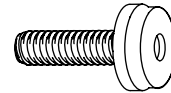
**T1** 4mm Hex Wrench



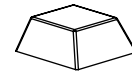
**H1** 1/4-20 x 15 mm Screw x 16



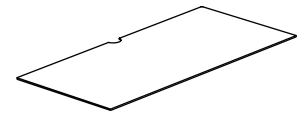
**H8** 1/4-20 x 61 mm Screw x 5



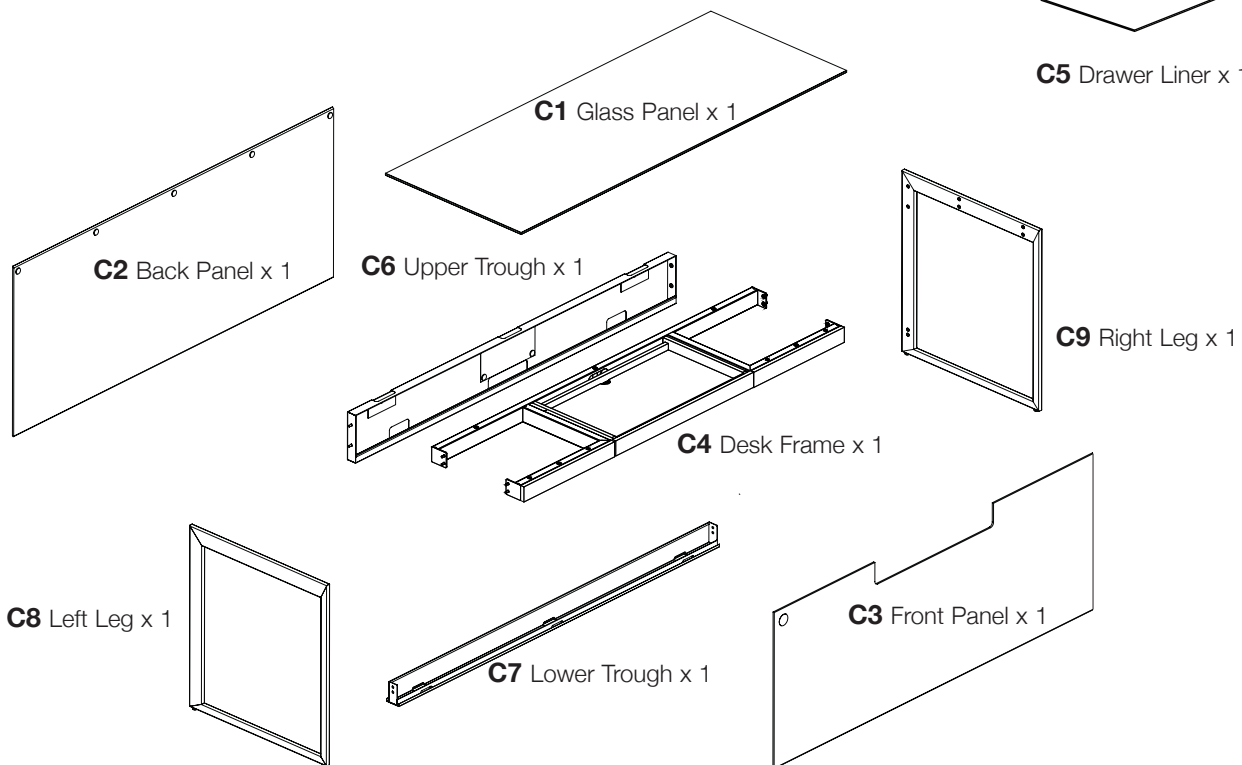
**H9** Leveler Glide x 4



**H10** Bumper x 4



**C5** Drawer Liner x 1

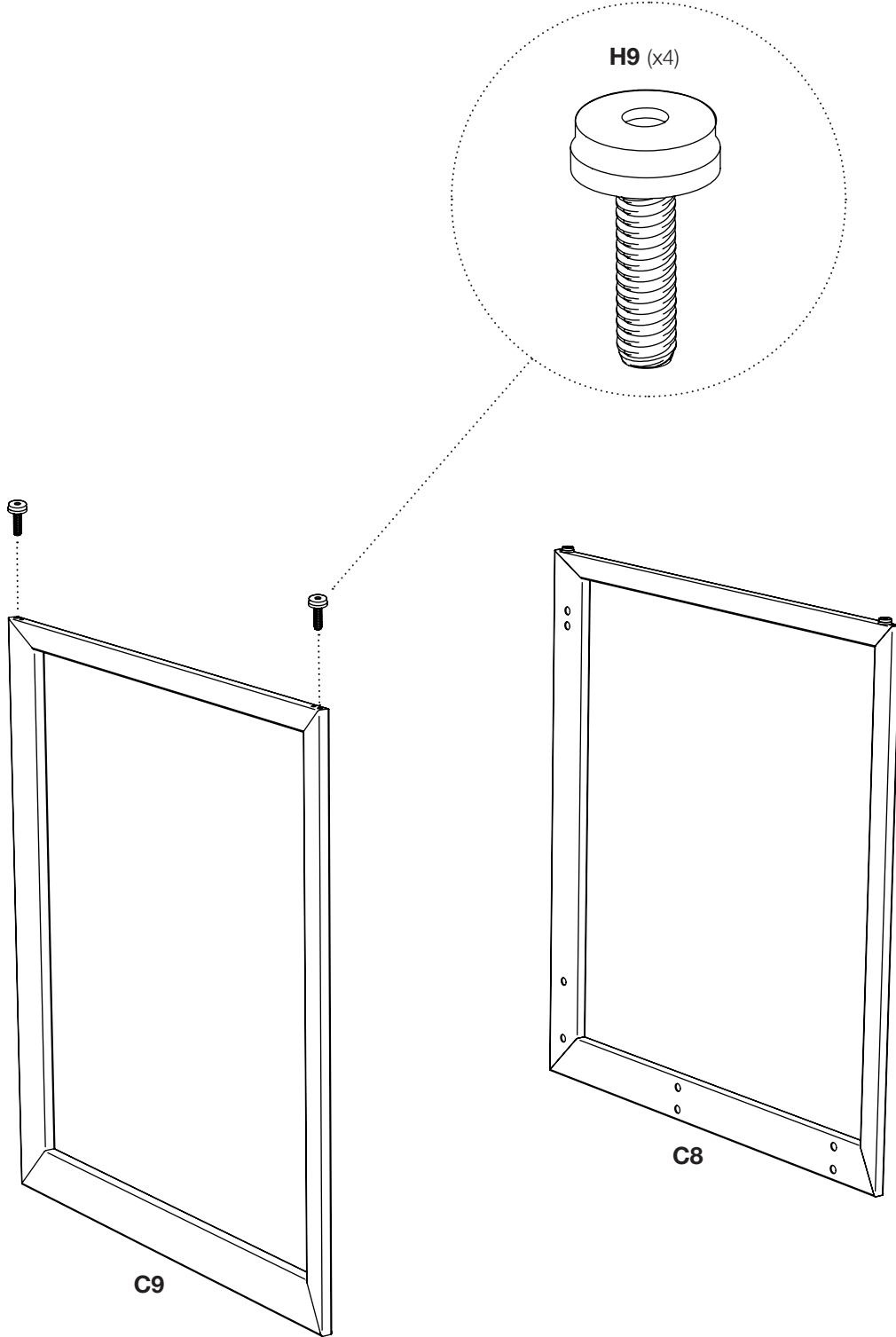


Designed by Matthew Weatherly.

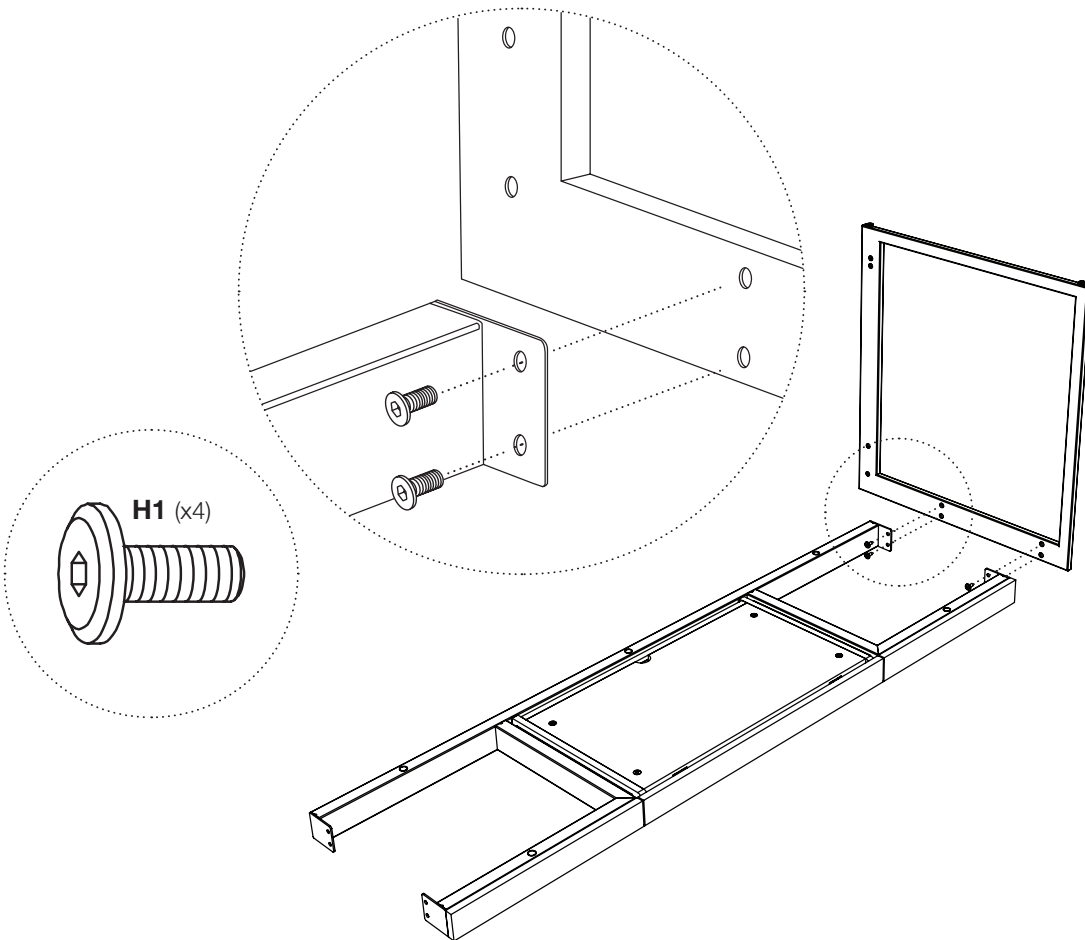
These distinctive product configurations are protected by US and international patents, trade dress, and/or copyright laws. Centro & BDI are trademarks of Becker Designed, Inc. All rights reserved. ©2015, BDI

Made in Taiwan. 12.2.2015 V2

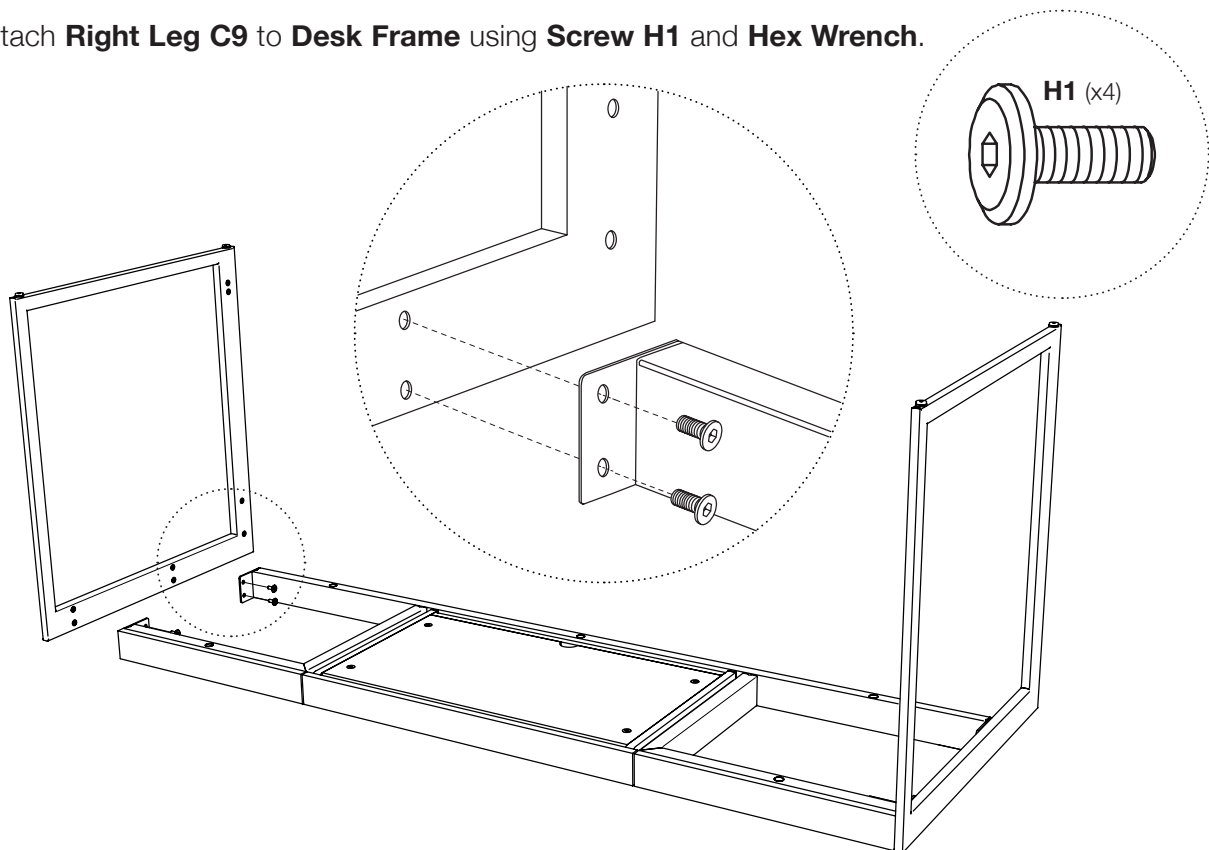
**Step 1 - Install Leveler Glides H9 to the bottom of Left Leg C8 and Right Leg C9.**



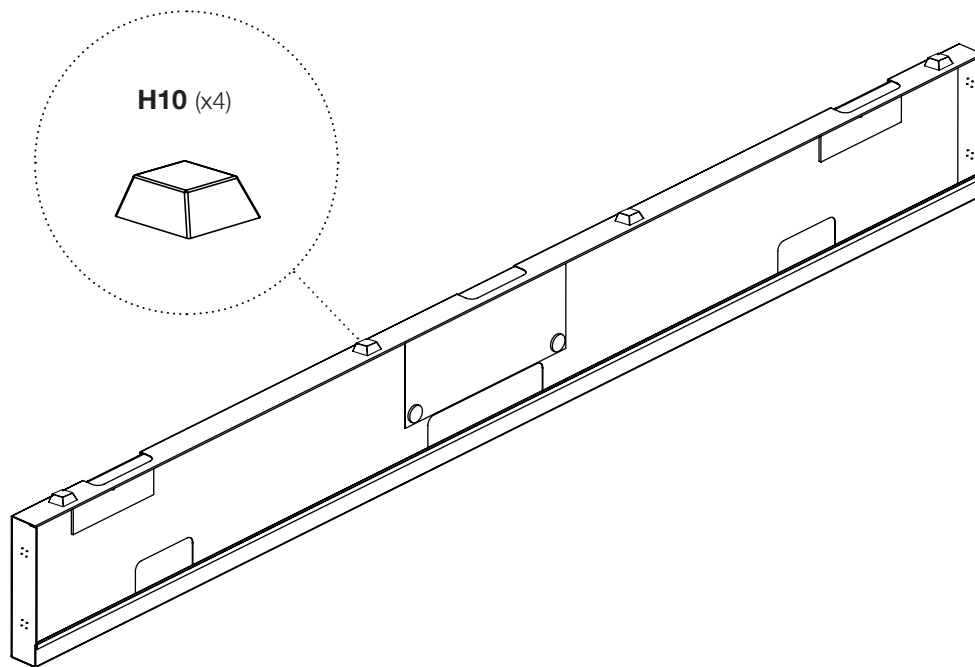
**Step 2 - Attach Left Leg C8 to Desk Frame using Screw H1 and Hex Wrench.**



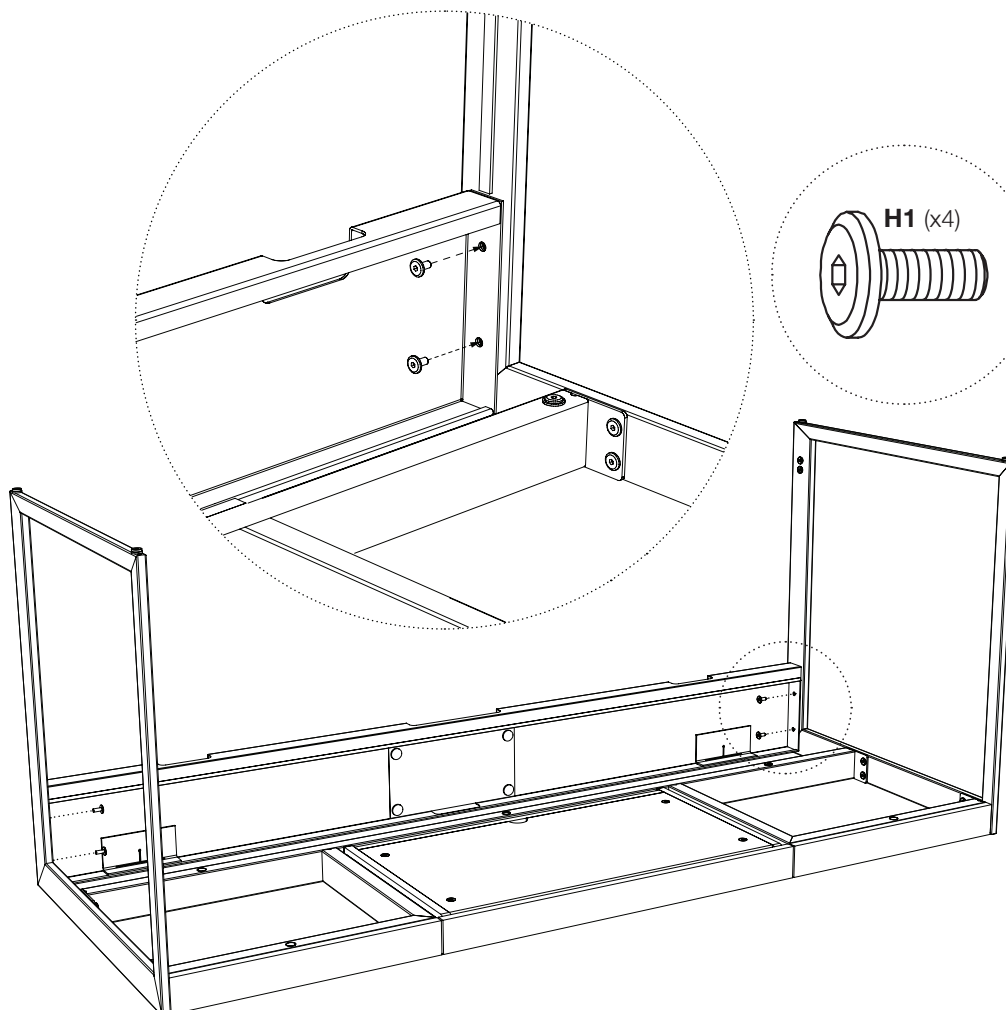
**Step 3 - Attach Right Leg C9 to Desk Frame using Screw H1 and Hex Wrench.**



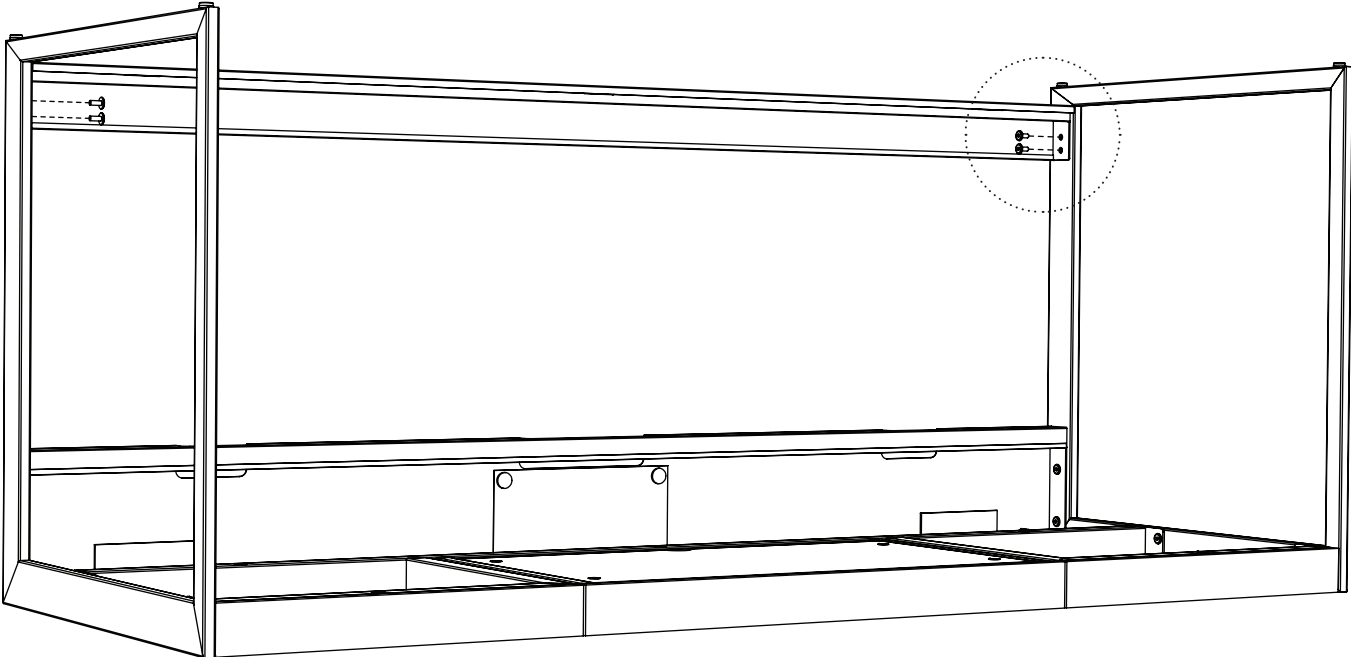
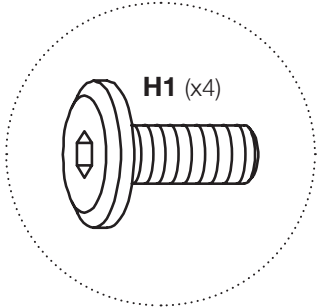
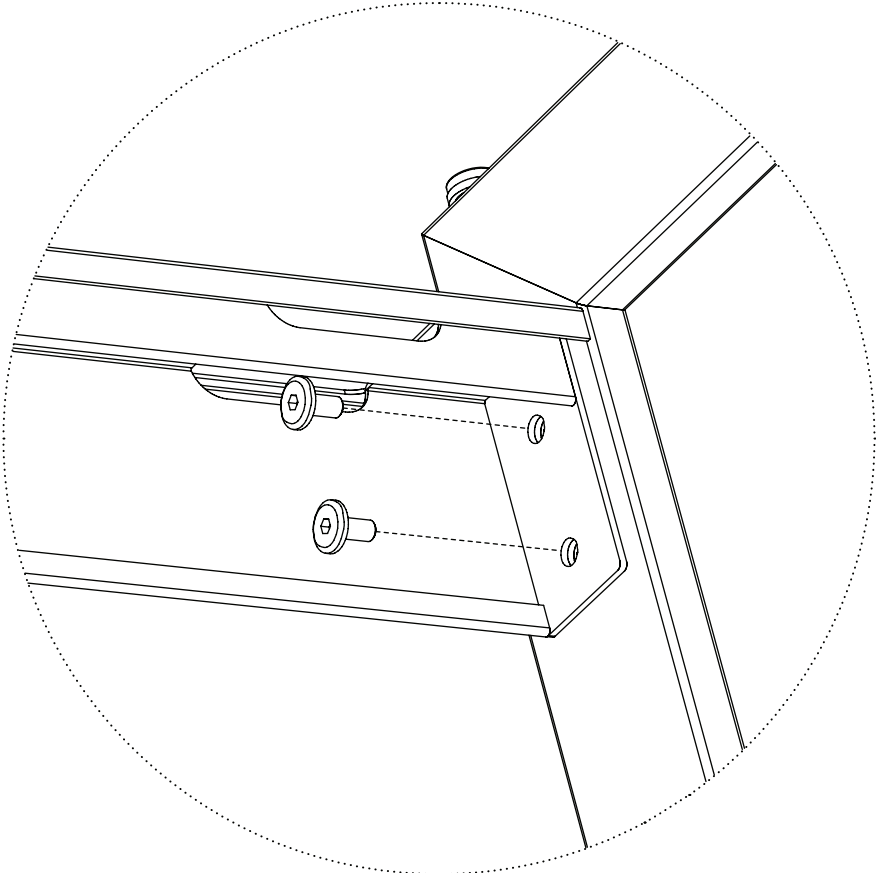
**Step 4 - Adhere Bumper H10 to top surface of Upper Trough C6.**



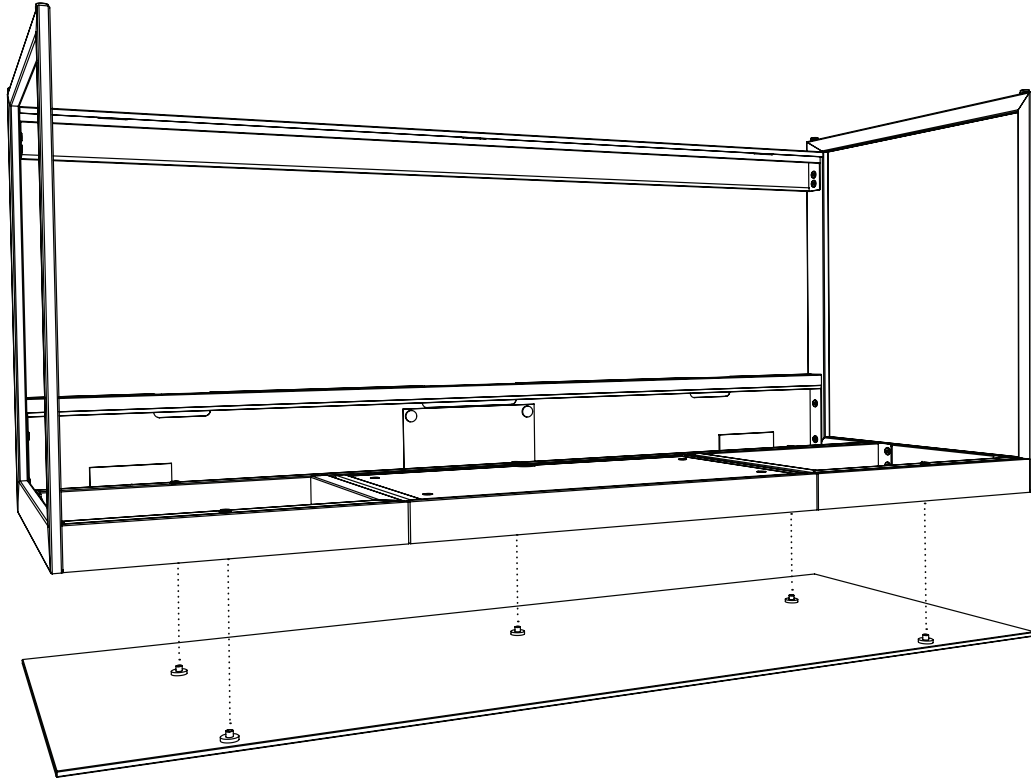
**Step 5 - Attach Upper Trough C6 to inside of Left and Right Leg using Screw H1 and Hex Wrench.**



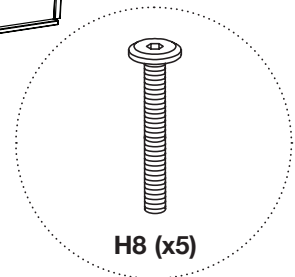
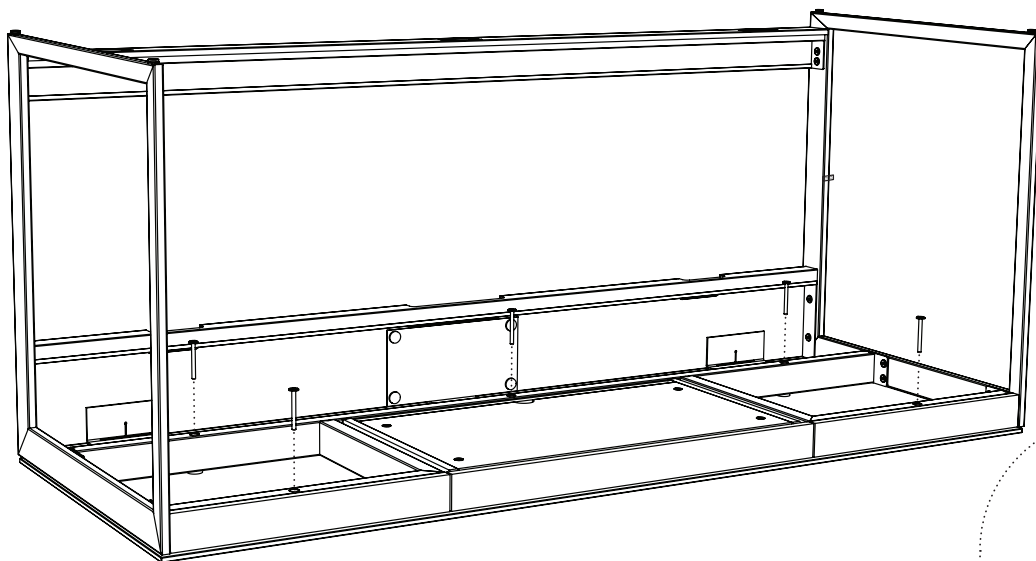
**Step 6 - Attach Lower Trough C7 to inside of Left and Right Leg using Screw H1 and Hex Wrench.**



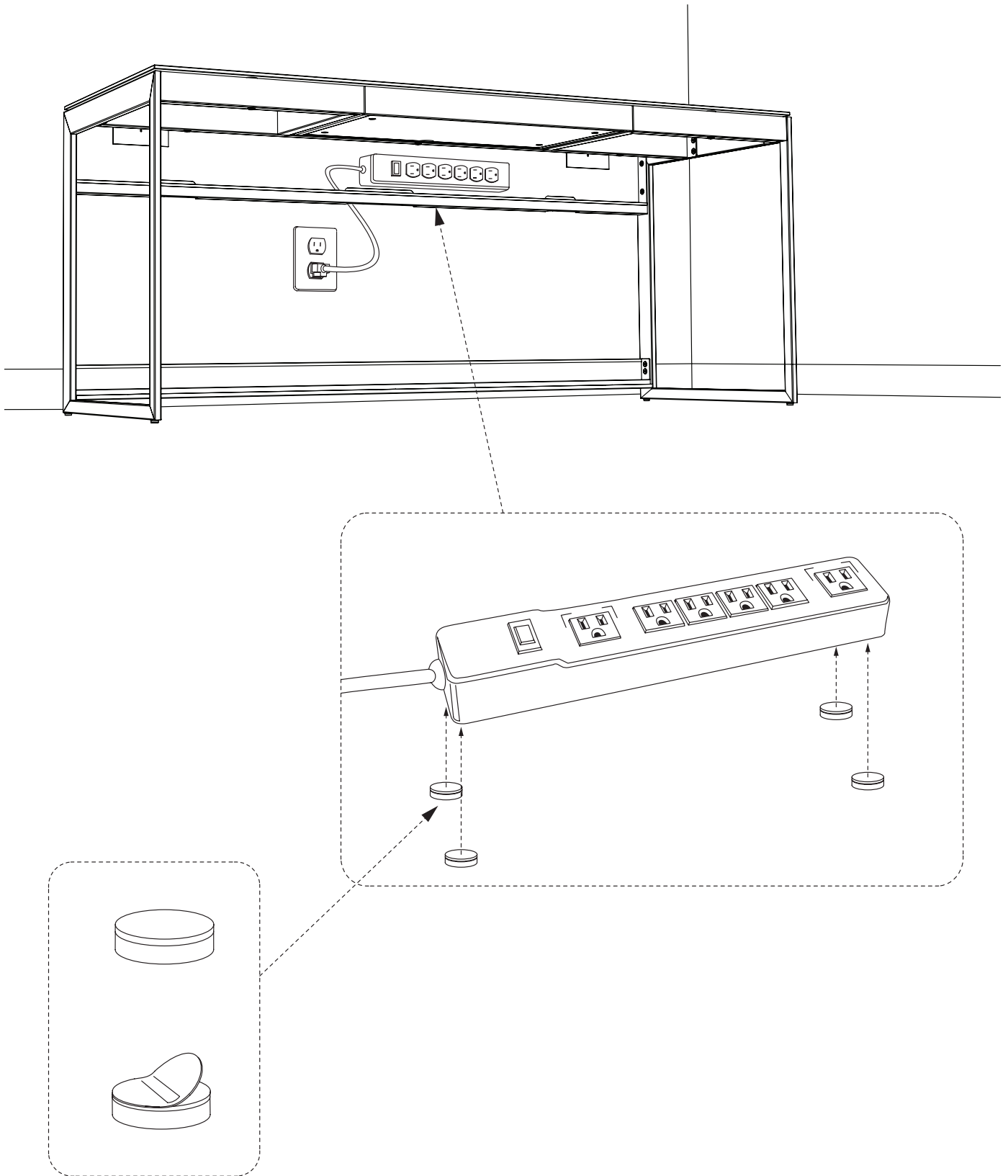
**Step 7** - With the help of another person, gently lower assembly onto **Glass Panel**. Both parts are upside down for the assembly process.



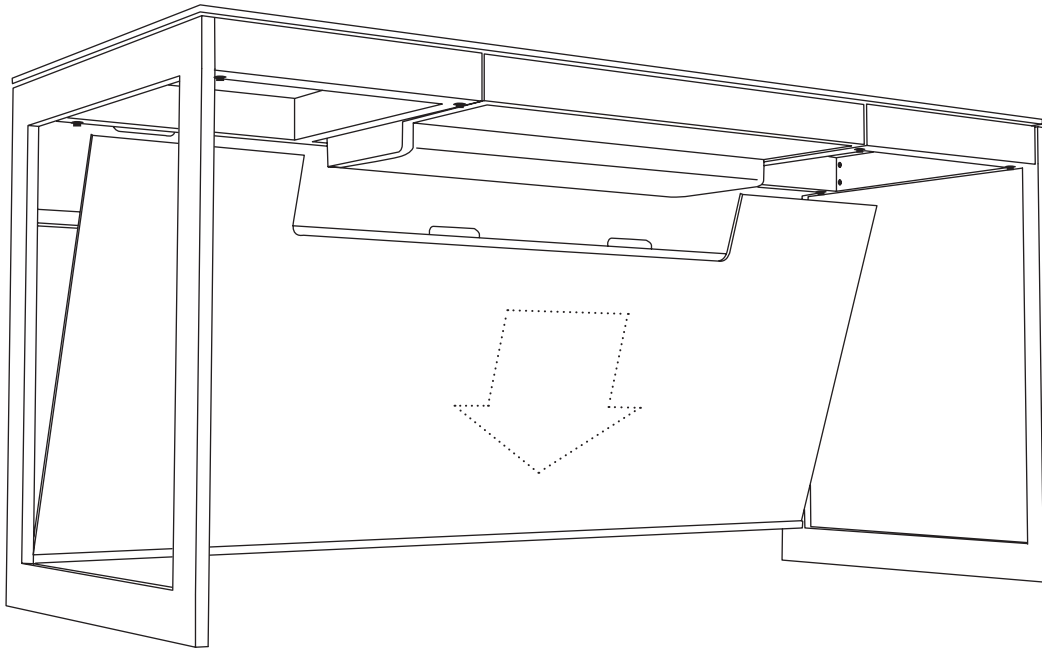
**Step 8** - Fasten into place using **Screw H8** and **Hex Wrench**. DO NOT OVERTIGHTEN! Upon completion, turn desk upright onto its base.



**Step 9 (optional)** - Attach Magnets to AC power strip/surge protector (not included)  
Remove **Magnets** from the **Upper Trough C6**. Peel film from side of the Magnets and attach to clean, dry back side of AC power strip (not included). **Cleaning of power strip surface with rubbing alcohol will ensure best adhesive bond. \*\*UNPLUG POWER STRIP FROM POWER SOURCE BEFORE CLEANING\*\***



**Step 10** - Install **Front Panel C3** as shown. The rear side of panel has pre-installed magnets that hold panel into position. Note: The Centro Desk is designed to permit placement in front of an electrical outlet for easier wiring access.



**Optional**

The **Back Panel C2** is provided to conceal wire management if desk is located in the middle of a room.

