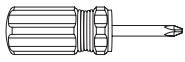




Component List



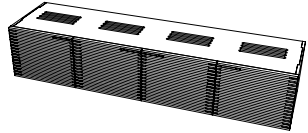
A - Phillips Screwdriver
x 1



B1 - Hex Wrench
x 1



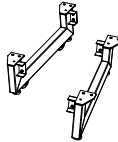
B2 - Hex Wrench
x 1



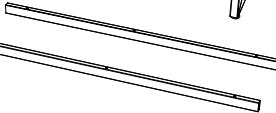
C - Cabinet
x 1



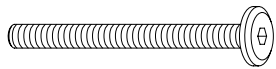
D - 1/4-20 x 10 mm
Machine Screw
x 16



E - Metal Leg
x 2



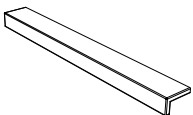
F - Metal Rail
x 2



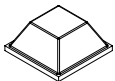
G - 1/4-20 x 60 mm
Machine Screw
x 6



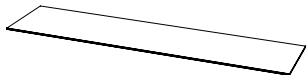
H - M4 x 35 mm
Machine Screw
x 8



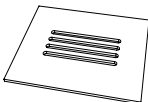
I - Door Pull
x 4



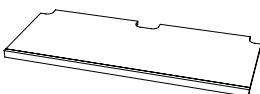
J - Rubber Bumper
x 8



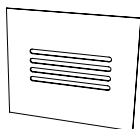
K - Glass Top
x 1



L - Adjustable Shelf
x 2



M - Adjustable Shelf
x 1



N - Back Panel
x 2

Corridor is engineered for easy assembly. Carefully follow this procedure to prevent any damage.

Placement and Maintenance

Corridor is designed for indoor use on level floors. Clean wood veneer with a moist cloth. Clean glass with glass cleaner.



Step 1

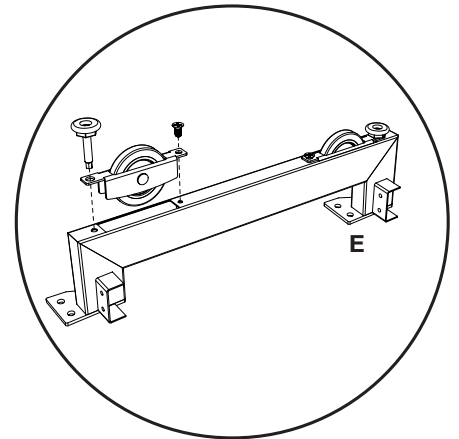
Unpack and Identify

Unpack and identify the components at left. Note that some components are shipped inside the cabinet. The assembly workspace should be a non-marring surface such as carpet. For missing hardware pieces, please contact BDI Customer Service at customerservice@bdiusa.com. For all other concerns, please contact your BDI Retailer.

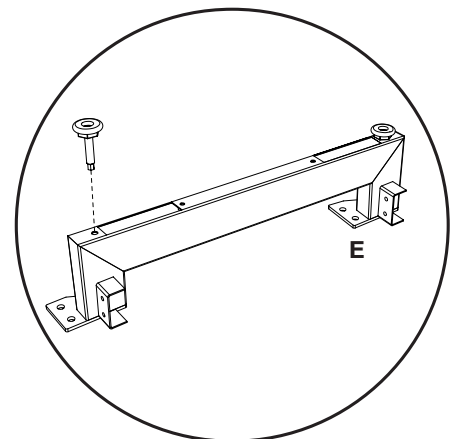
For your convenience, wheel assembly is pre-installed. Wheels can be removed if desired.

Removal of wheels:

Detach **Wheel Assembly** from **Metal Leg (E)** by removing the **Leveler** and **Screw**.

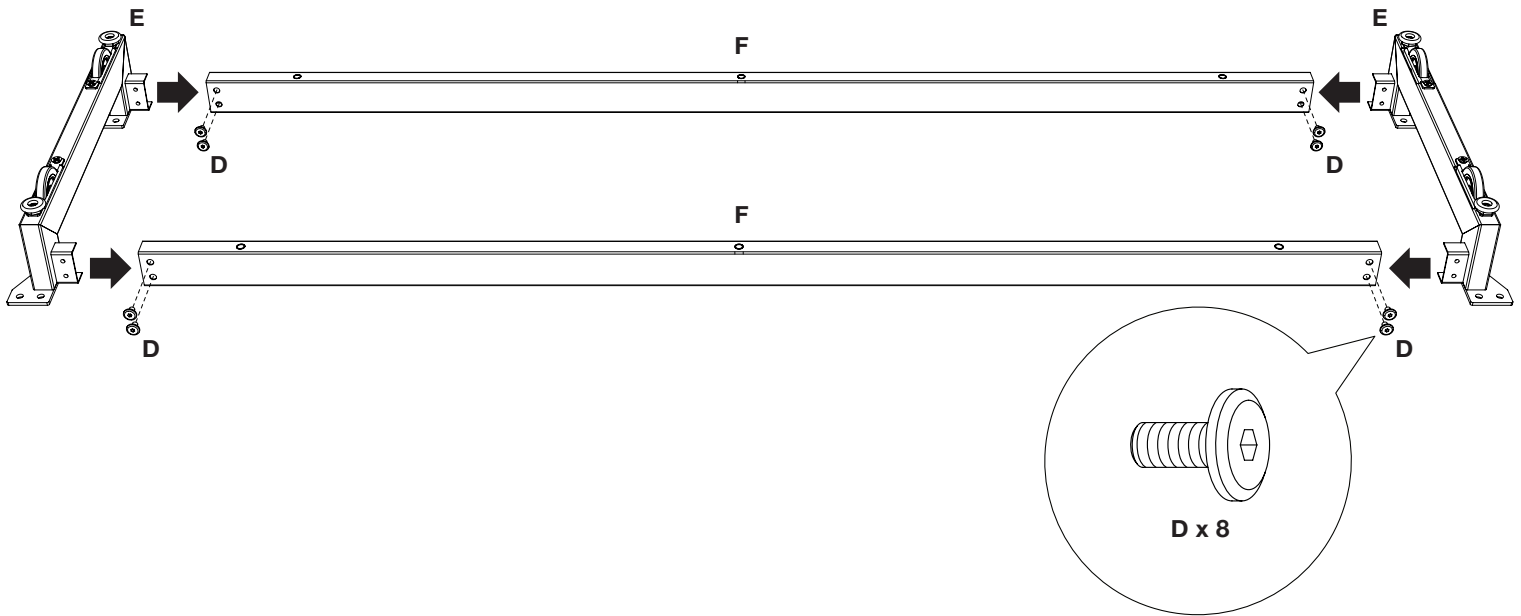


Reinstall **Leveler** to **Metal Leg (E)**.



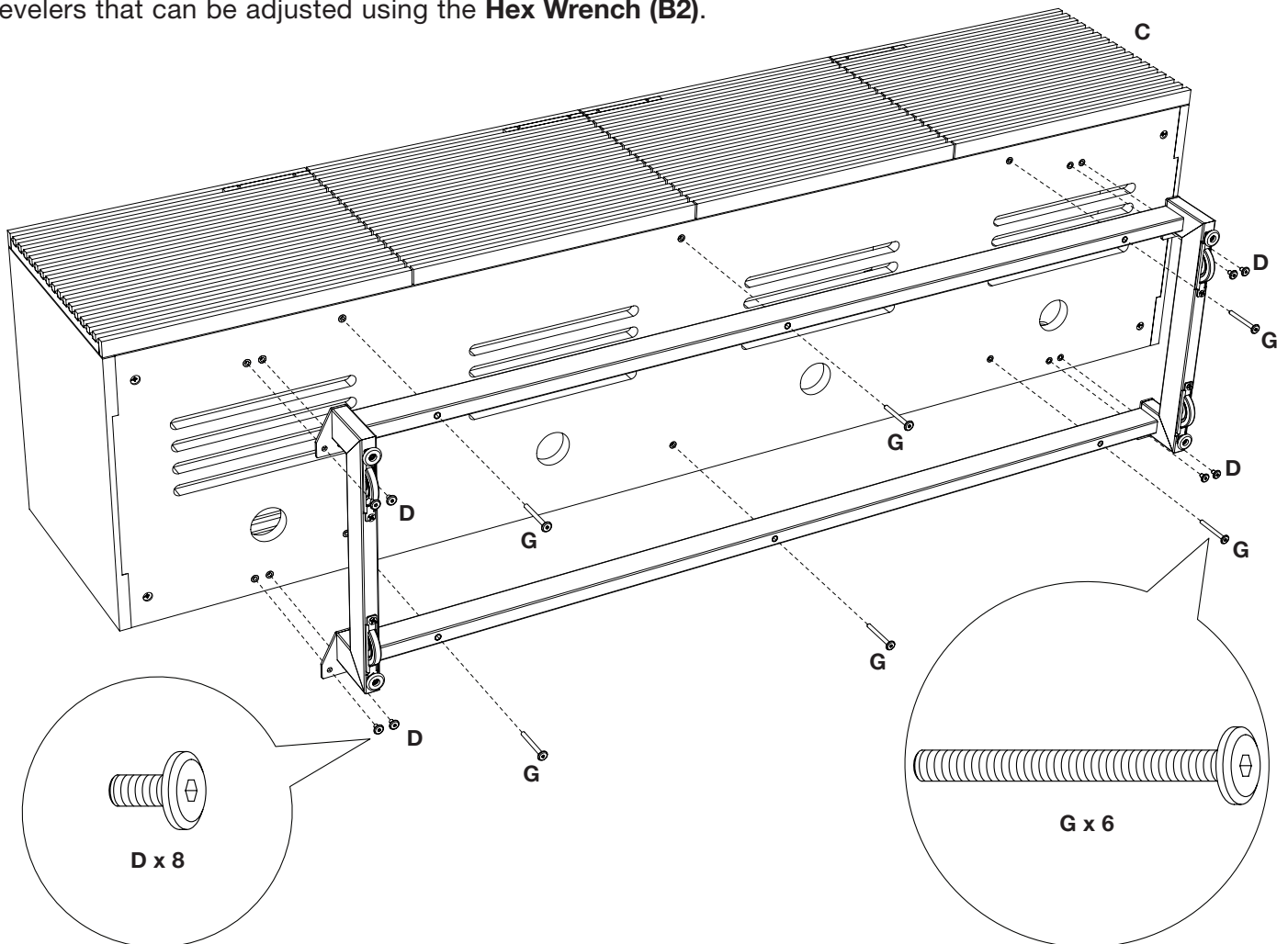
Step 2
Build Base Assembly

Slide **Metal Leg (E)** into **Metal Rail (F)** and attach by using **Hex Wrench (B1)** and **Screw (D)**.



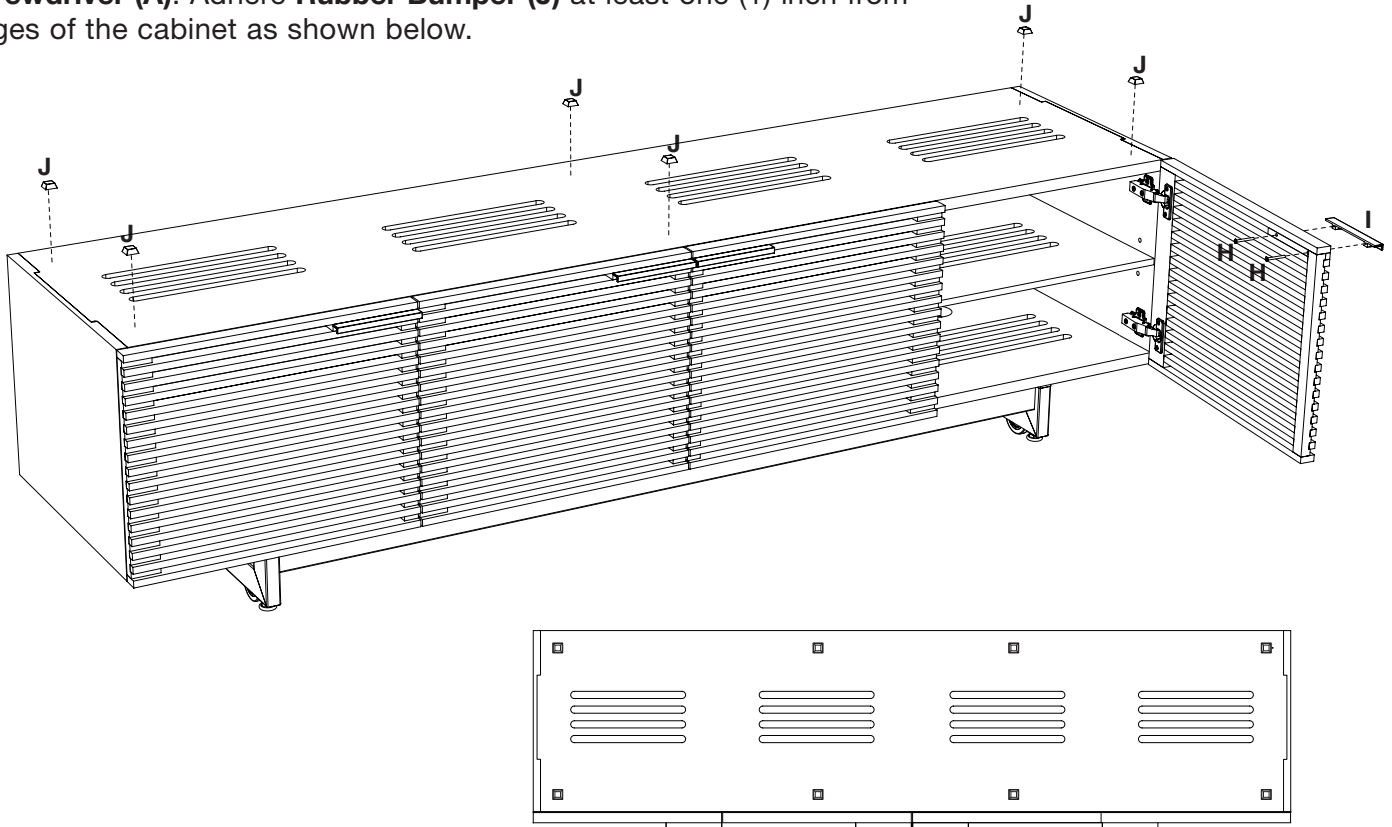
Step 3

Carefully lay **Cabinet (C)** on its back. Using **Hex Wrench (B1)**, attach the base assembly to the bottom of the **Cabinet (C)** with **Screw (D)** and **Screw (G)**. *Note: Each of the metal legs has levelers that can be adjusted using the **Hex Wrench (B2)**.



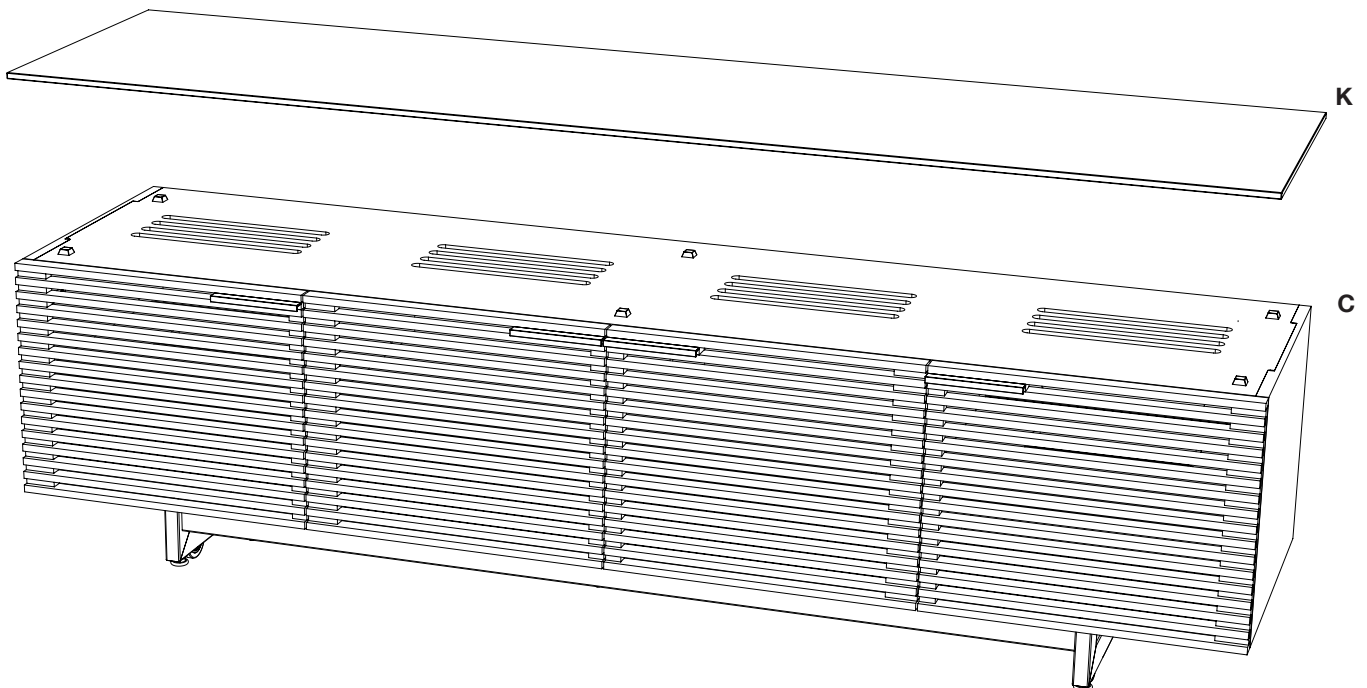
Step 4
Install Door Pulls and Rubber Bumpers

Position the cabinet upright and install **Door Pulls (I)** using **Screw (H)** and **Screwdriver (A)**. Adhere **Rubber Bumper (J)** at least one (1) inch from edges of the cabinet as shown below.



Step 5
Install Glass

Place **Glass Top (K)** on top of **Cabinet (C)**. Position glass flush with cabinet front doors.

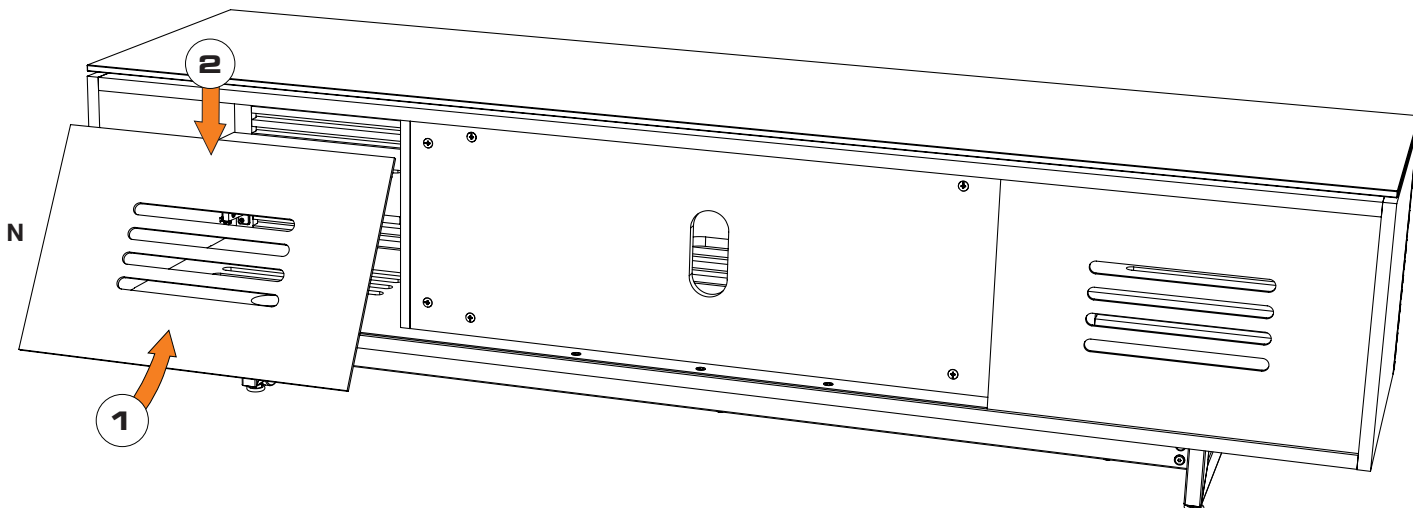


Step 5

Install Back Panels

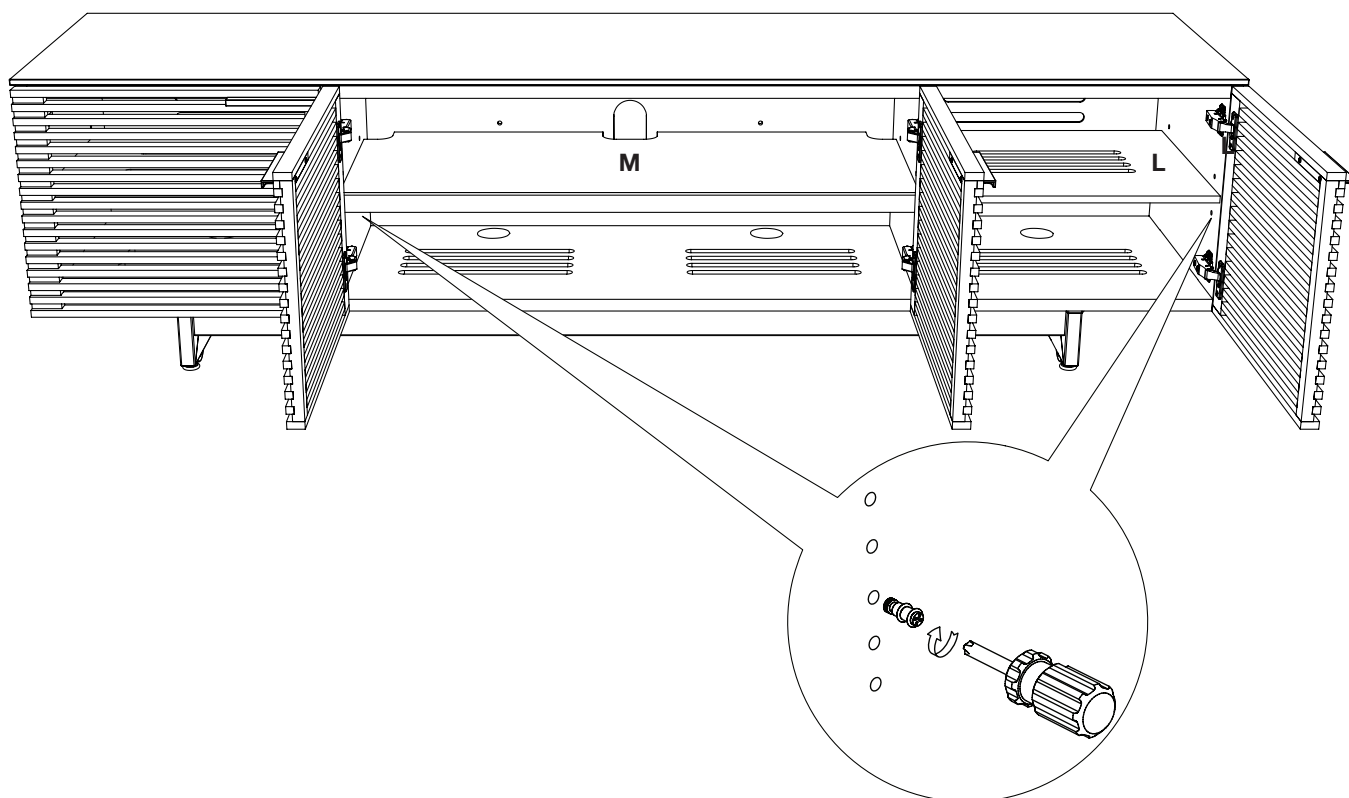
Install both **Back Panels (N)** to the backside of the cabinet by inserting top edge in upper channel then tipping bottom edge forward and into lower channel.

NOTE: Velcro straps are included for your convenience to facilitate wire management.



Adjustable Shelves

The shelf pins located inside all three cabinet spaces may be repositioned using **Screwdriver (A)**, allowing you to raise or lower each **Adjustable Shelf (L)** and **Adjustable Shelf (M)** to the desired level.

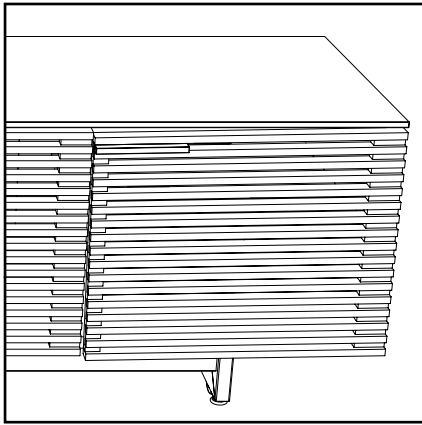


Fine tuning your new BDI Corridor Home Theater Furniture

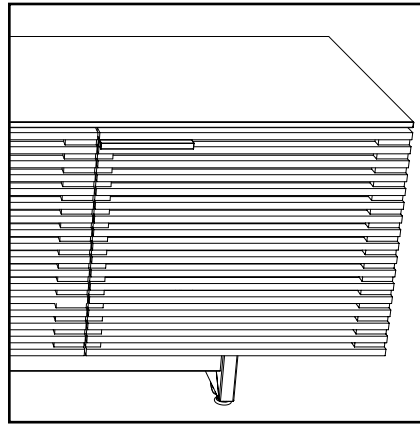
These steps are to be followed after you have unpacked and completed the simple assembly instructions for your Corridor AV cabinet. Due to jostling in freight or perhaps an uneven floor, the doors on your Corridor cabinet may not appear to be in perfect alignment. Making a few minor adjustments can rectify this situation. Be aware that depending on your situation, patience and a bit of trial and error are required. The high-quality European hinge hardware is infinitely adjustable, but changing one element can cause the need for further adjustments. Through a little adjustment, you can modify the orientation of the cabinet doors to make sure that they are sitting perfectly on your Corridor unit.

STEP 1 - Level your Corridor unit

Levelers are integrated into each leg assembly and are accessed at the bottom of each cabinet leg using **Hex Wrench (B2)**. If your floor is uneven, you may extend one or more levelers to attain a level, stable cabinet placement. Turning the leveler clockwise will extend the leveler; turning it counter-clockwise will retract it.



INCORRECT! Door is out of alignment with the rest of the unit.



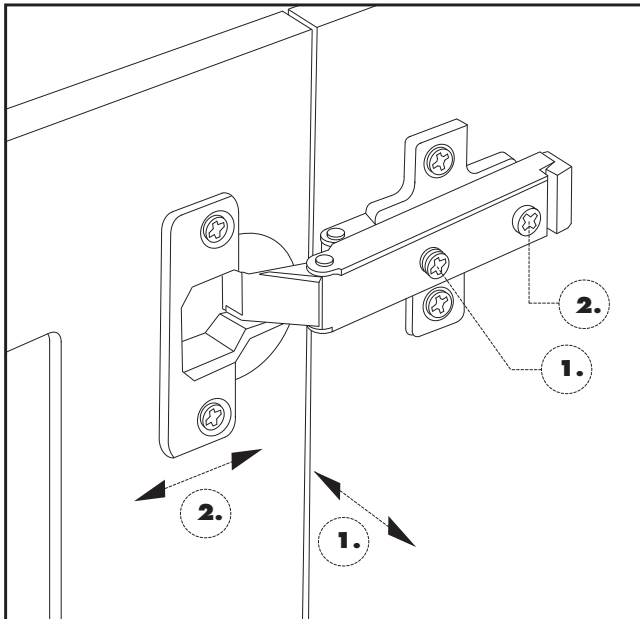
CORRECT! Door is sitting squarely and evenly spaced on tops and sides.

STEP 2 - Adjust Door Hinges (if needed)

The doors on your cabinet should be evenly spaced and the doors should open and close freely without rubbing against the door frame.

If the cabinet's doors appear out of alignment, this condition can be corrected with minor adjustment to the European hinges on each door.

Because these hinges are infinitely adjustable, adjusting one hinge element can sometimes cause the need for adjustments to other elements. But with a few adjustments, you can modify the orientation of the cabinet doors to make sure that they hang perfectly within your cabinet.



Use the **Phillips Screwdriver (A)** supplied to adjust Corridor's door hinges:

- By adjusting **Screw 1**, the door will move LEFT or RIGHT within the frame. Make minor adjustments at both top and bottom hinges for best results.
- By adjusting **Screw 2** the entire door will move IN or OUT, opening or closing the gap between the door frame and cabinet. (This screw rarely needs adjustment.)