



**charcoal:** LC-LS-CG



**black:** LC-LS-BL



**cloud:** LC-LS-CW



**leaf:** LC-LS-LG



**chocolate:** LC-LS-CB



**apple red:** LC-LS-AR



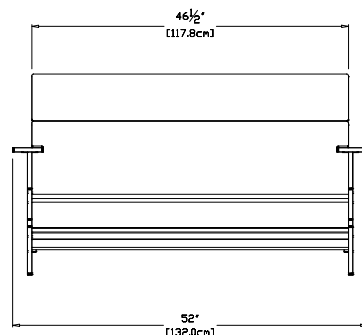
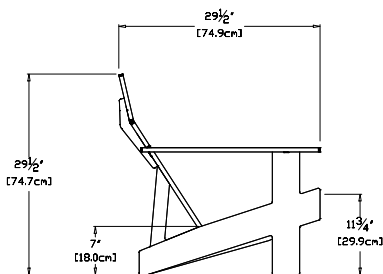
**sunset:** LC-LS-OR



**sky:** LC-LS-SB



**sand:** LC-LS-SD



**collection:** lollygagger

**material:** 100% recycled HDPE

**dimensions:** width: 52" (132.0cm)  
depth: 29.5" (74.9cm)  
height: 29.5" (74.7cm)

**weight:** 73 lbs (33.1kg)



**584**  
reclaimed  
milk jugs

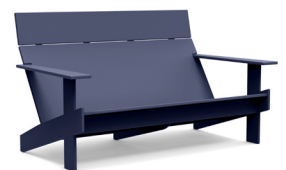
**shipping dimensions:** 25" x 5.5" x 48"  
**shipping weight:** 80 lbs (36.3kg)



flat pack shipped  
some assembly required



**evergreen:** LC-LS-EG



**navy blue:** LC-LS-NB

