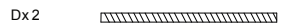
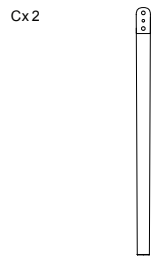
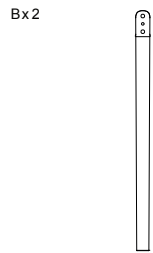
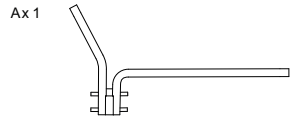


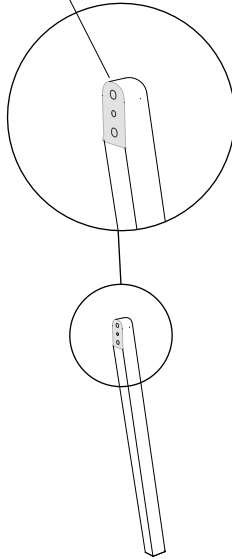
MODEL 190
74x150x45



①

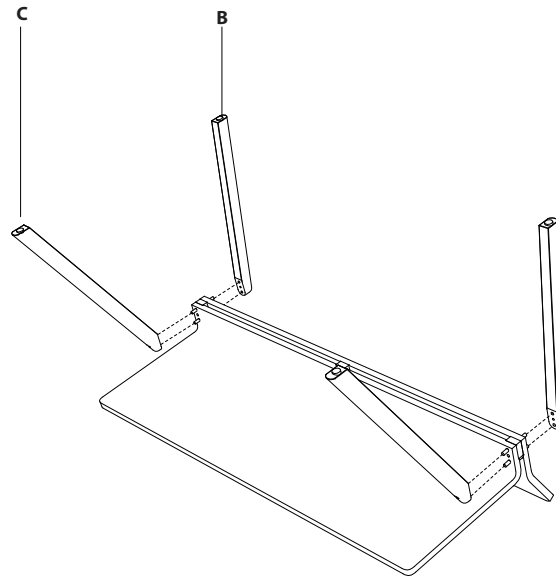
Add glue onto the flat area on both legs **B** and **C**

B and **C**



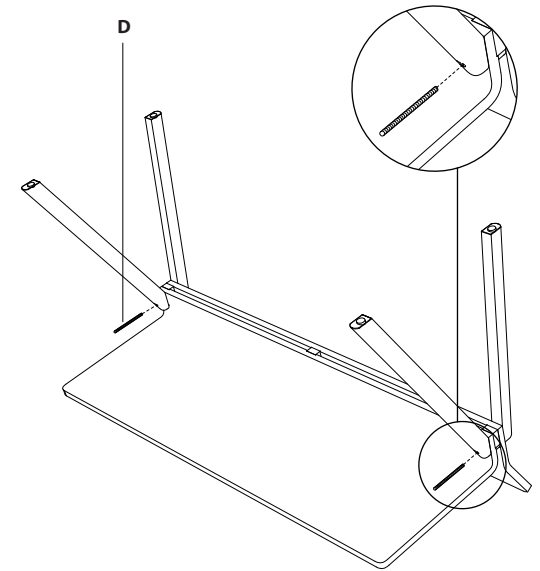
②

Place both legs **B** and **C** on the tabletop **A**



③

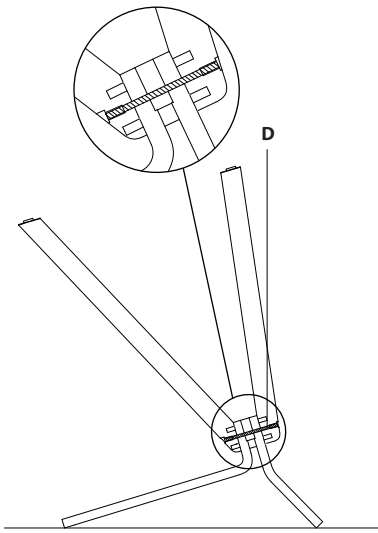
Place the bolt **D** in the hole



HAY

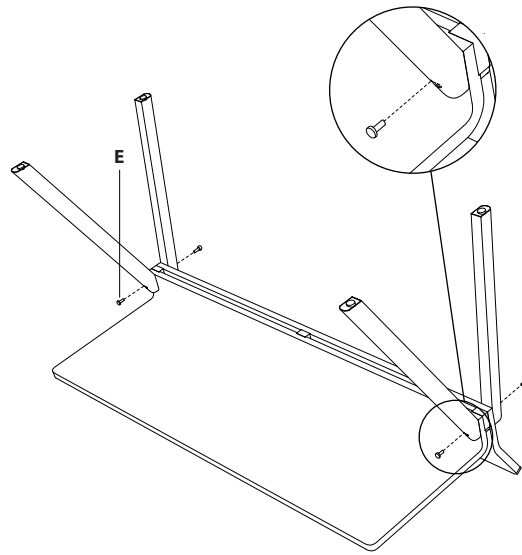
④

Place the bolt **D** in the middle of the hole



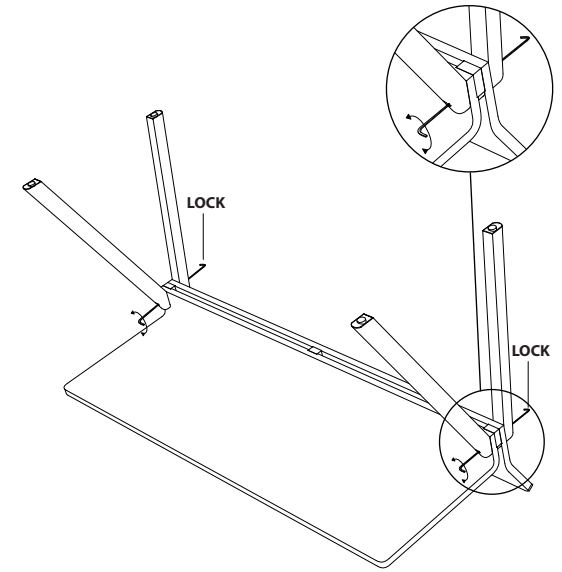
⑤

Place the screws **E** in the holes



⑥

Tighten one of the screws **E** into a lock
Tighten the other screw **E** with the allenkey **F**
Before use, leave the table to dry for 60 minutes, and remove remaining glue



⑦

Adjust the height with the adjustable feet

