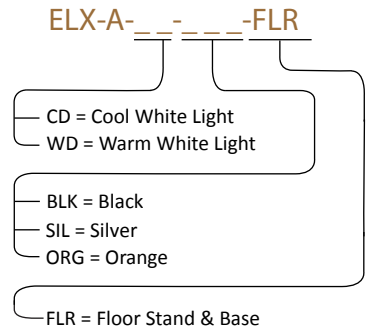


KONCEPT

equo® FLOOR LAMP

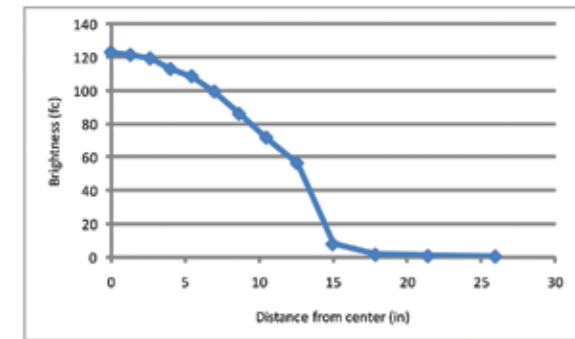
Equo® Floor Lamp brings the discreet counterweight design for feather-light adjustability without the need for a table. One finger is all you need to adjust the floating arm's position, and the tilting head stays at whatever angle you set when the arm is raised or lowered.

Lumens:	360
Energy Consumption:	6 watts
Number of LEDs:	28 LEDs
LED Rated Lifespan:	50,000 hours
Color Temperature (Typical) – Cool:	4,500 K
Color Temperature (Typical) – Warm:	3,500 K
Color Rendering Index (CRI):	85
Dimmer:	Built-in touchstrip
Brightness Adjustability:	Multiple dimming levels
Standard Color Finish*:	Black, Silver, Orange
Material:	Aluminum/Plastic
Cord Color:	Black
Cord Length:	10'
Transformer (100–240 V; 50/60 Hz):	Included – C-UL-US Certified

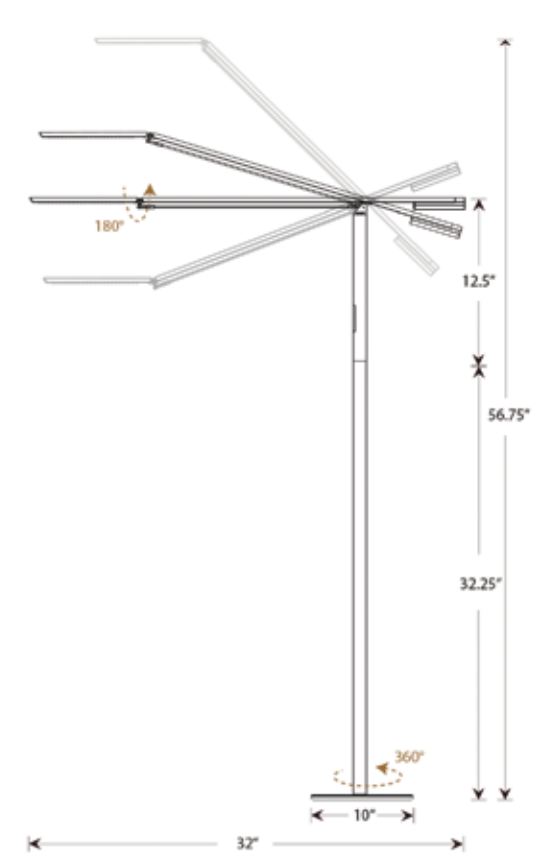


*Custom colors are available at additional cost. Contact Koncept or your sales representative for a quote.

Light source placed at 15" away from worksurface



Horizontal and vertical reach



- Potential LEED Points:**
- Energy & Atmosphere (EA)**
Credit 1.1: Optimize Energy Performance
 LED lighting to reduce energy consumption.
 (Potential points: 3)
 - Innovation In Design (ID)**
Credit 1.1- 1.4: Innovation in Design
 EQUO® Floor incorporates a unique combination of features including feather-light adjustability with counterbalance mechanism, touch sensitive dimming, and constant angle joint stabilization.
 (Potential points: 4)
 - Materials & Resources (MR)**
Credit 4.1: Recycled Content - 10%
 Lamps contain parts made out of 10% pre-consumer recycled content.
 (Potential points: 1)
Credit 4.2: Recycled Content - 20%
 Lamps contain parts made out of 20% pre-consumer recycled content.
 (Potential points: 2)

Lamp contains 35% preconsumer recycled material by weight*
 Aluminum housing is fully recyclable
 All color finishes use water-based paint
 LEDs do not contain mercury

*in standard configuration (includes transformer and weighted base)

